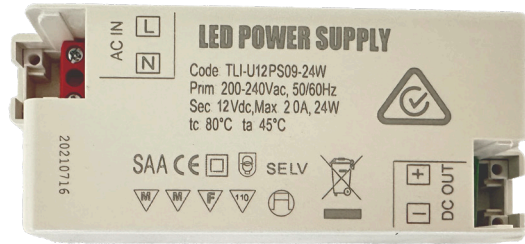


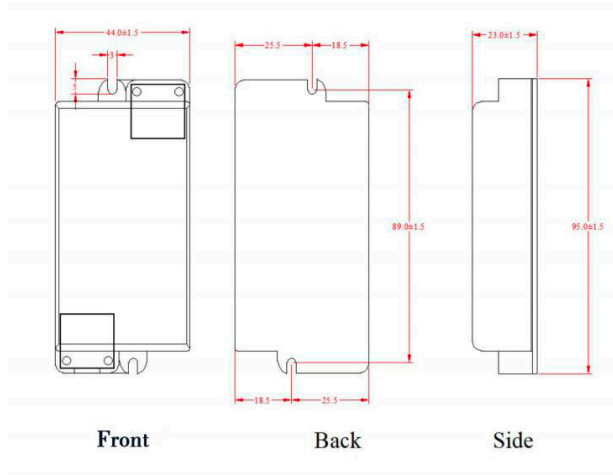
# TLI-U12PS 09-24W IP20 LED DRIVER



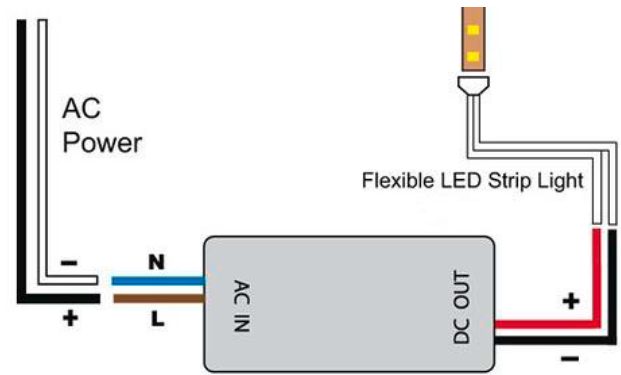
## TECHNICAL

Material	Plastic
Input Voltage	240v AC
Output Voltage	12v DC
Output Power	24w
No. Output Cables	1
Wiring	Parallel
IP Rating	IP20
Dimmable	No
Warranty	2 Years Replacement

## DIMENSIONS



## SAMPLE INSTALLATION DIAGRAM



\*Recommended maximum Load of 19w (80%)

## COMPATIBLE WITH



All Low Voltage Light Fittings and LED Strip



IP RATING

APPROVAL



## PRODUCT ORDERING

Image	Part Number	OUTPUT VOLTAGE
	TLI-U12PS09-24W	12V DC

# TLI-U12PS 09-24W IP20 LED DRIVER

MODEL		TLI-U12PS09-24W
OUTPUT	DC VOLTAGE	12V
	RATED CURRENT	2.0A
	CURRENT RANGE	0-26A
	RATED POWER	24W
	RIPPLE&NOISE(max)	

