

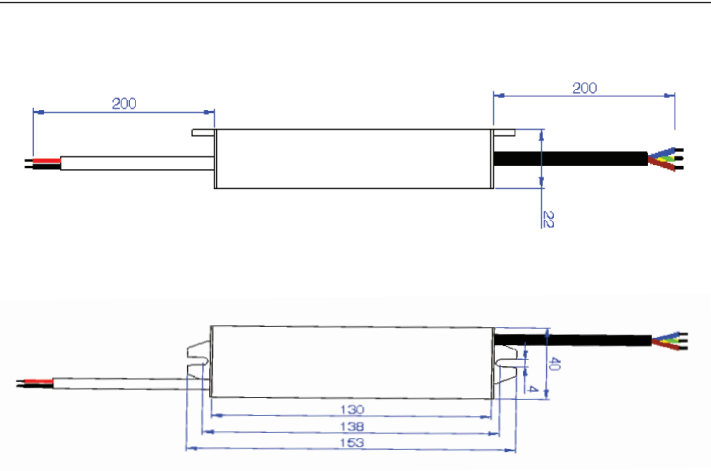
60W IP67 WEATHERPROOF LED DRIVER



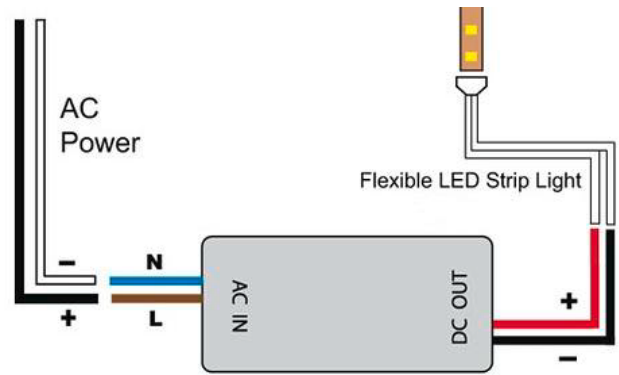
TECHNICAL

Material	Aluminium
Input Voltage	240v AC
Output Voltage	12/24v DC
Output Power	60w
No. Output Cables	1
Wiring	Parallel
IP Rating	IP67
Dimmable	No
Warranty	2 Years Replacement

DIMENSIONS



SAMPLE INSTALLATION DIAGRAM



*Recommended maximum Load of 48w (80%)

COMPATIBLE WITH



All Low Voltage Light Fittings and LED Strip



IP RATING

APPROVAL



PRODUCT ORDERING

Image	Part Number	OUTPUT VOLTAGE
	TLI-U12PS-60W-WP	12V DC
	TLI-U24PS-60W-WP	24V DC

60W IP67 WEATHERPROOF LED DRIVER

MODEL		TLI-U12PS-60W-WP	TLI-U24PS-60W-WP
OUTPUT	DC VOLTAGE	12V	24V
	RATED CURRENT	5A	2.5A
	CURRENT RANGE	0-5A	0-2.5A
	RATED POWER	60W	
	RIPPLE&NOISE(max)	< 350mV	< 400mV
	VOLTAGE TOLERANCE	±0.5V	
INPUT	VOLTAGE RANGE	170-265VAC	
	FREQUENCY RANGE	47-63Hz	
	POWER FACTOR(Typ.)	0.5	
	EFFICIENCY(Typ.)	86%	88%
	AC CURRENT(Typ.)	0.47A/220VAC	0.47A/220VAC
PROTECTION	Short circuit	Protection type:Hiccp mode,recovers automatically after condition is removed	
	Overload	5.9A	3A
ENVIRONMENT	WORKING TEMP.	-30~+70°C (Refer to output load derating curve)	
	INGRESS PROTECTION	IP67 design for indoor or outdoor installations	
	STORAGE TEMP	-40~+80°C	
SAFETY&EMC	SAFETY STANDARDS	EN61347-1;EN61347-2-13;SELV;IP67 approved	
	WITHSTAND VOLTAGE	I/P-O/P:2KVAC I/P-FG:2KVAC O/P-FG:0.5KVAC	
	EMC Test Standards		
NOTE	1.All parameters NOT specially mentioned are measured at 220VAC input, rated load and 25°C of ambient temperature. 2.Ripple&noise are measured at 20MHz of bandwidth by using a 12" twisted pair-wire terminated with a 0.1uf&47uf parallel capacitor. 3.Tolerance: includes set up tolerance, line regulation and load regulation.		

Others

DIMENSION	153×40×22mm(L×W×H)
CARTON QUANTITY	100pcs/carton
CARTON SIZE	355×350×235mm
WEIGHT	0.25Kg/pcs

Derating Curve

